

Fig. 1A

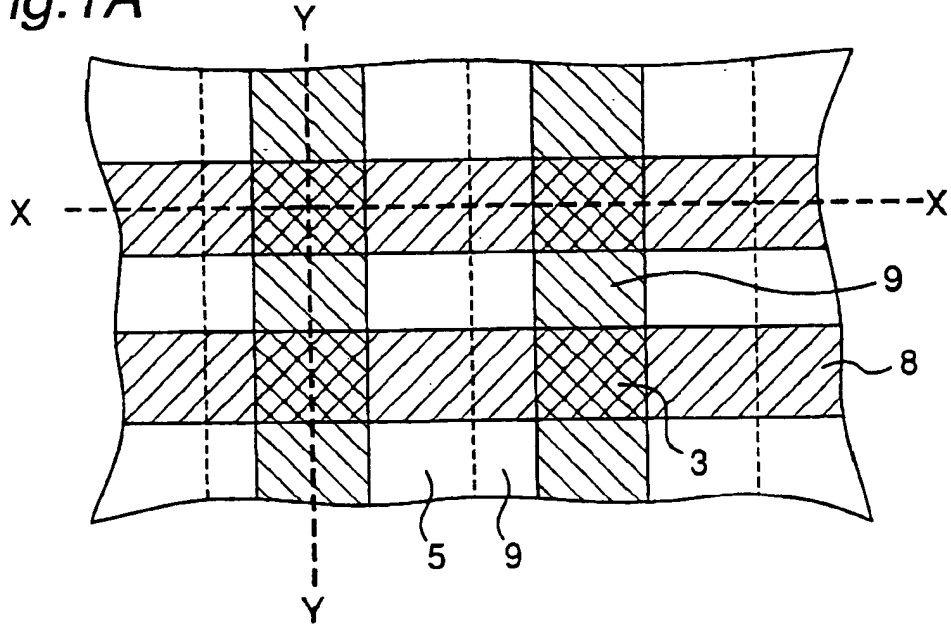


Fig. 1B

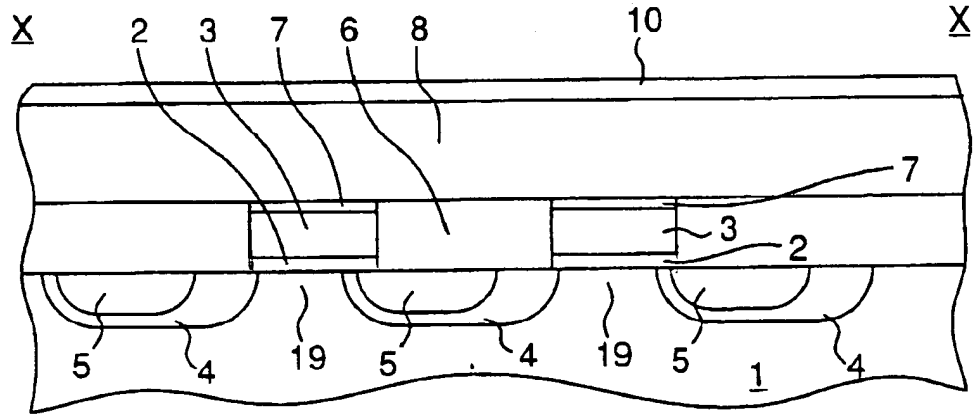
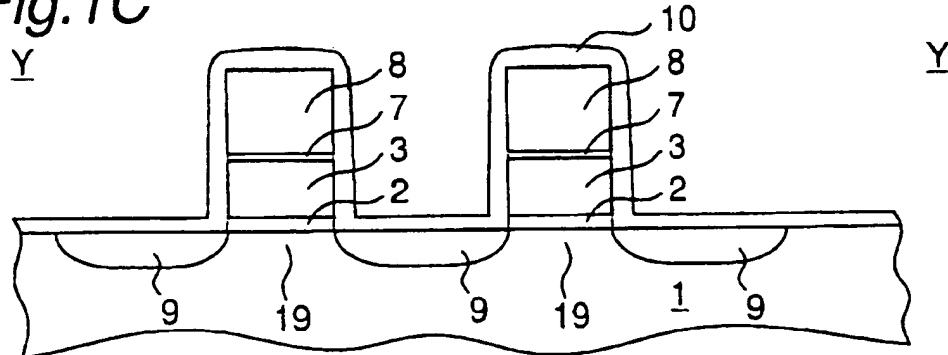


Fig. 1C



Patent 0635563

FIG. 2

Fig.2

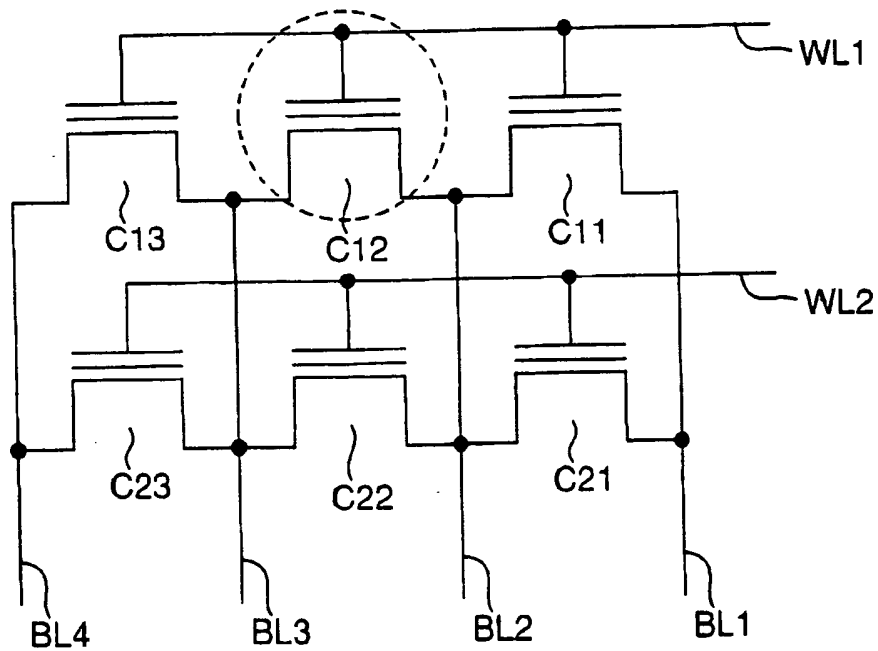


Fig.3A

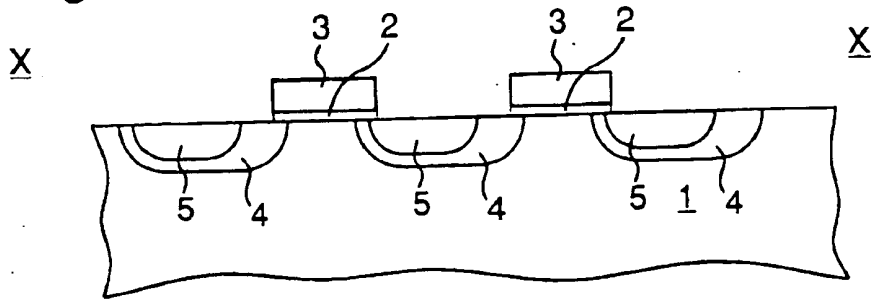


Fig.3B

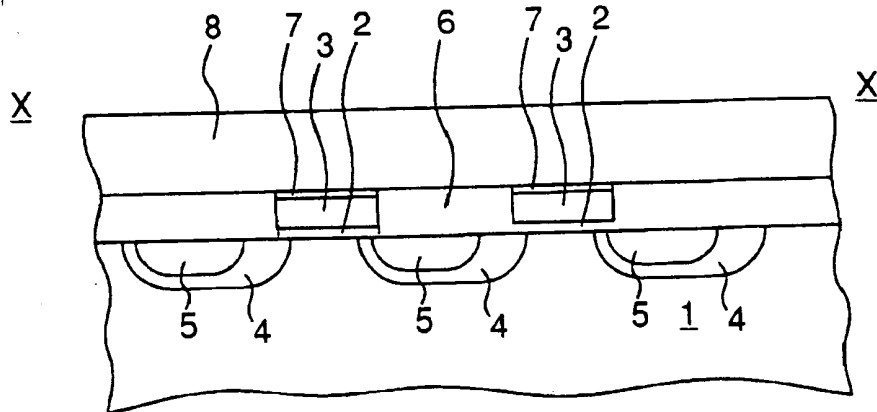
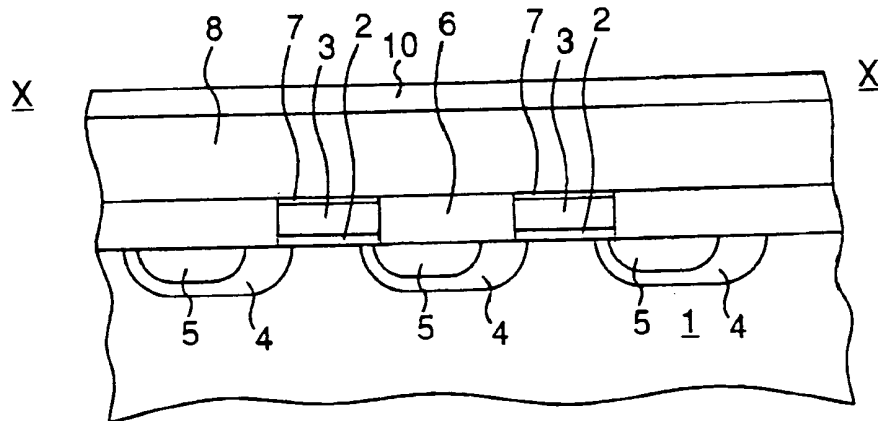


Fig.3C



Patent 0506660

Fig.4A

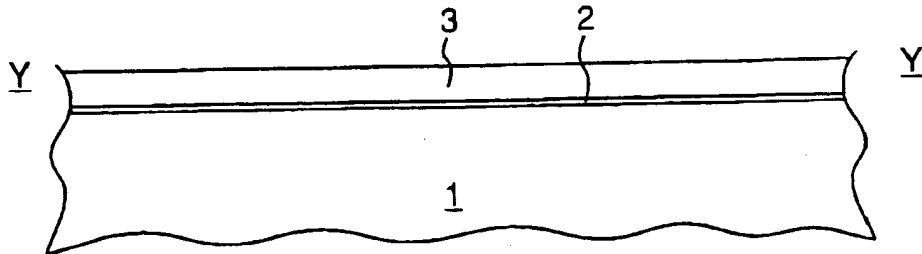


Fig.4B

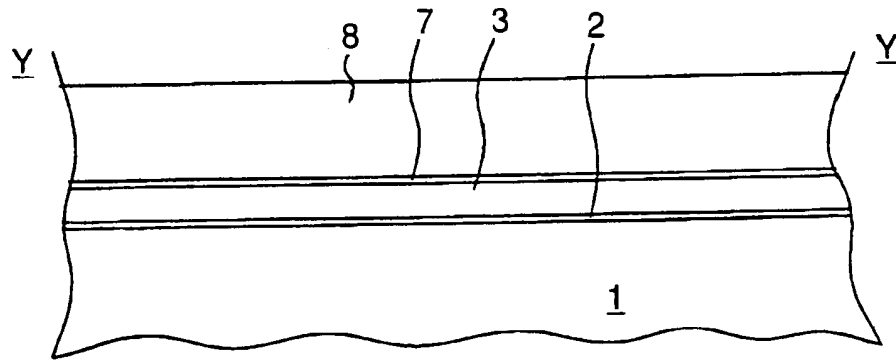
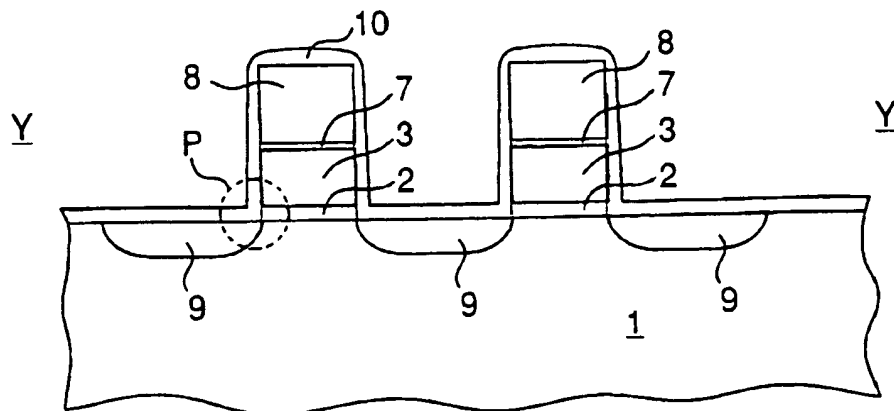


Fig.4C



FOR OFFICIAL USE ONLY

Fig.5A

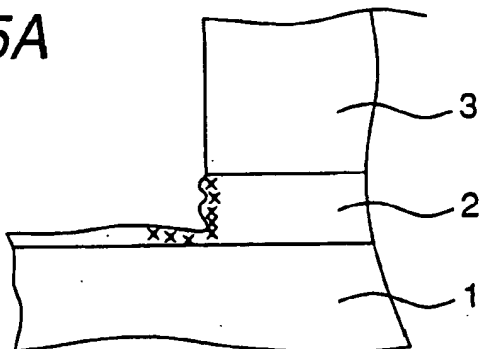


Fig.5B

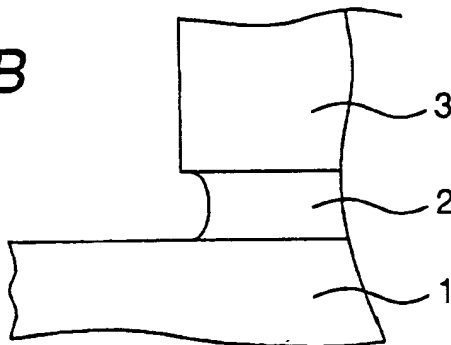


Fig.5C

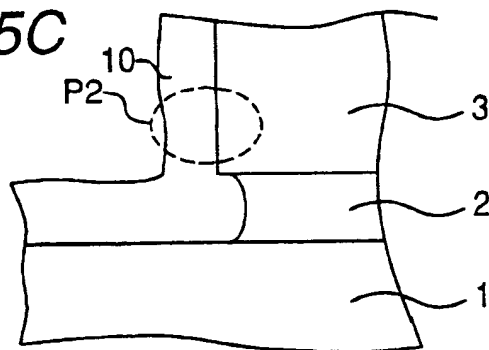
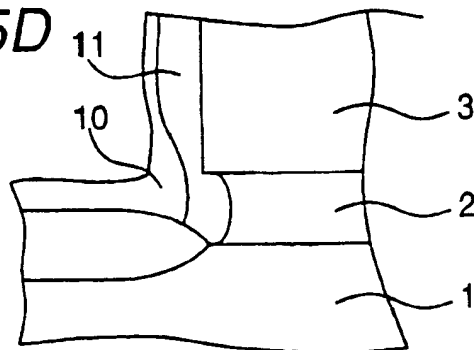


Fig.5D



Patent # 9,625,569

COPY PROTECTED

Fig.6

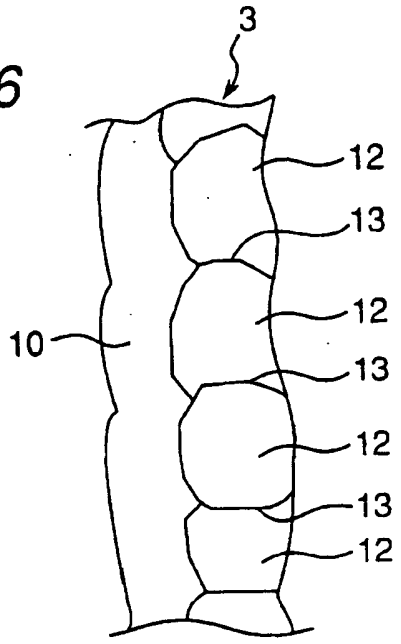


Fig.7 PRIOR ART

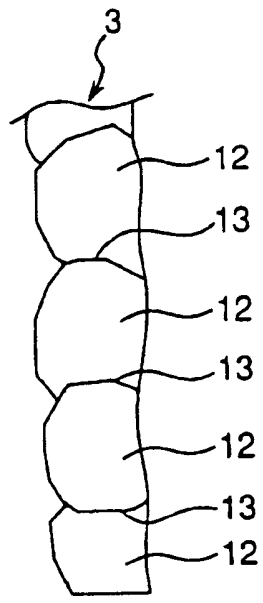


Fig.8

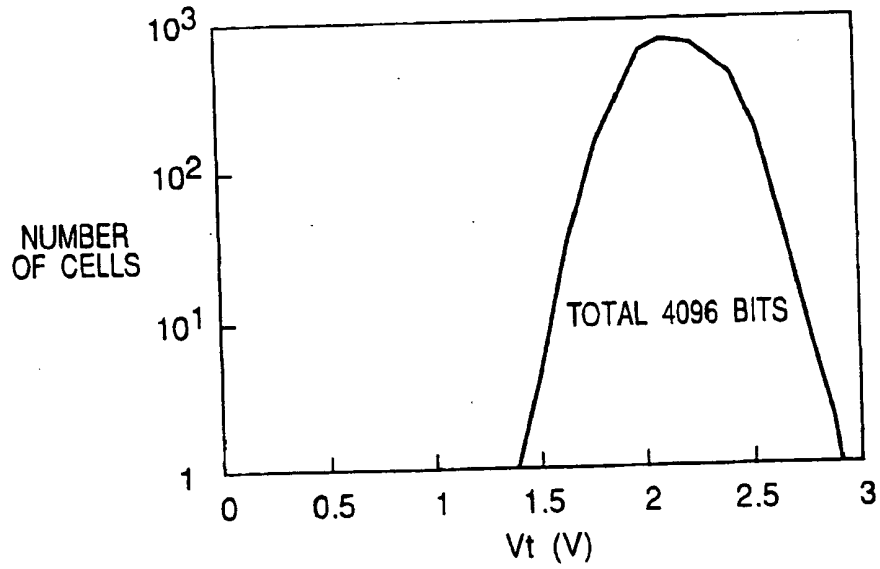


Fig.9 PRIOR ART

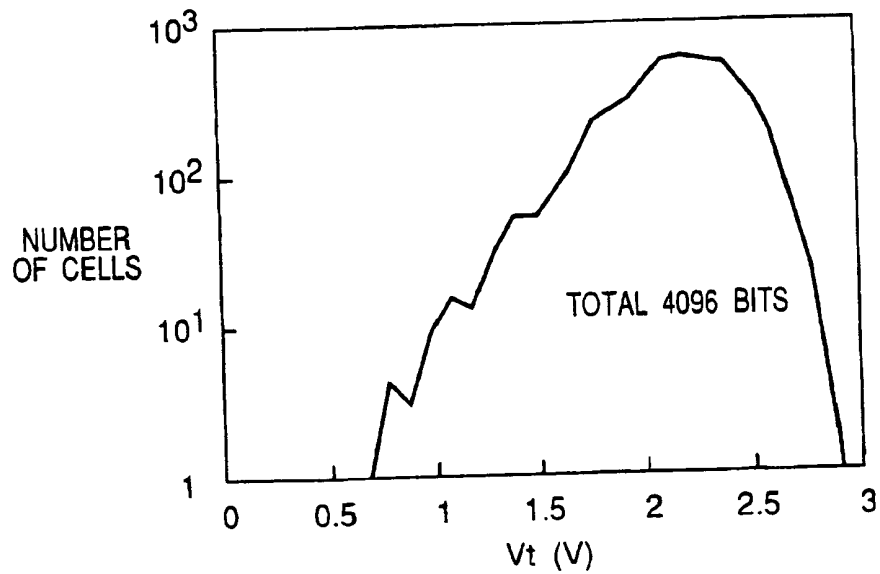


Fig.10A PRIOR ART

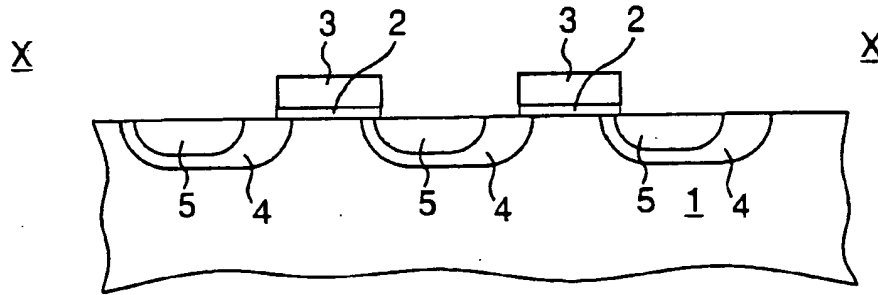


Fig.10B PRIOR ART

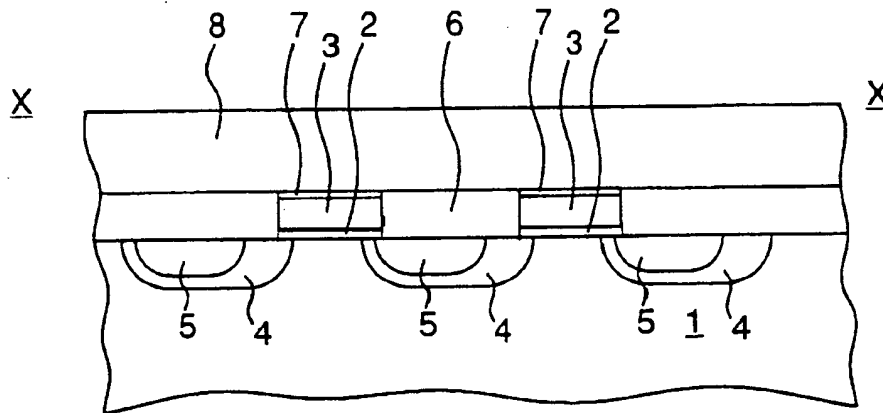
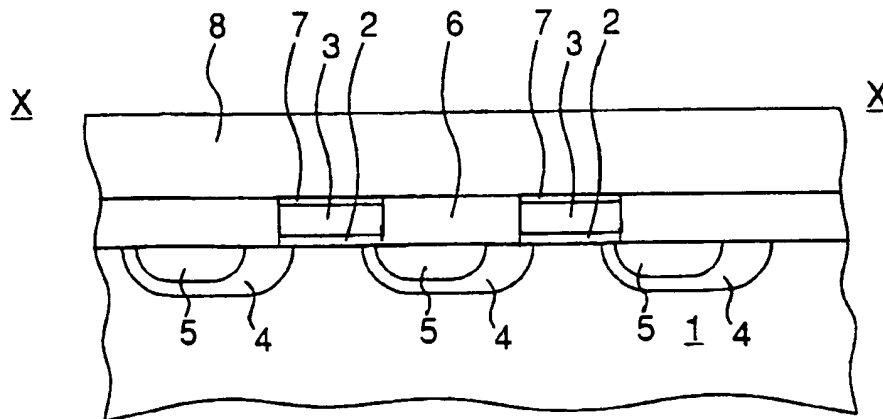


Fig.10C PRIOR ART



Pub. No. 2004/018666A1

Fig.11A PRIOR ART

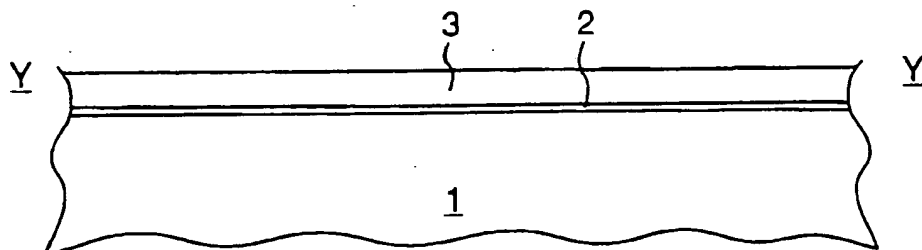


Fig.11B PRIOR ART

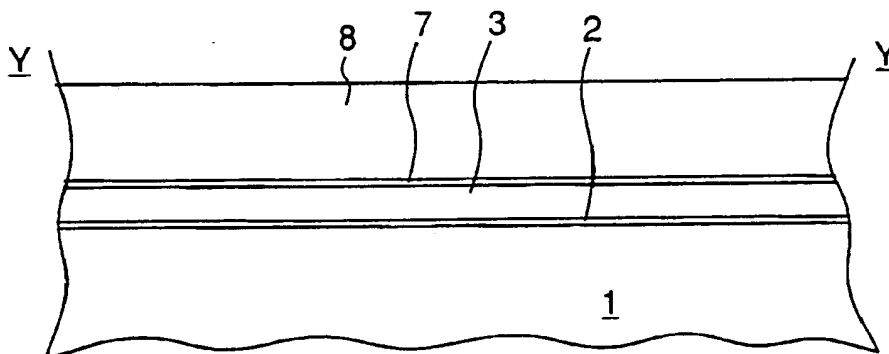
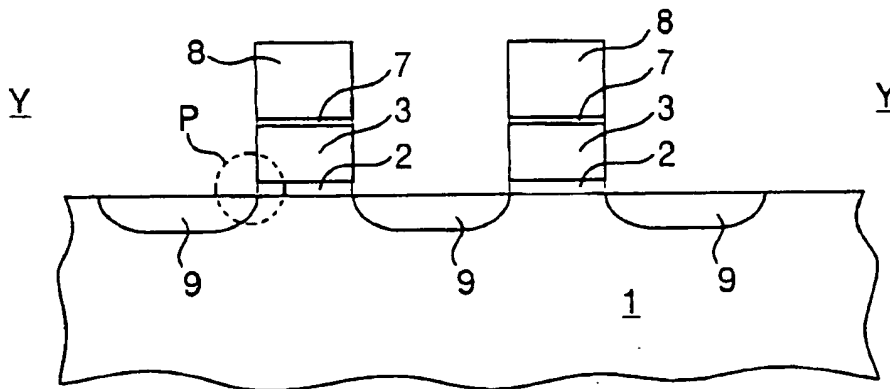


Fig.11C PRIOR ART



Patent Office

Fig.12A PRIOR ART

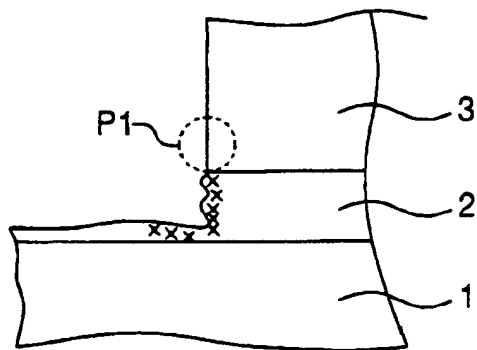


Fig.12B PRIOR ART

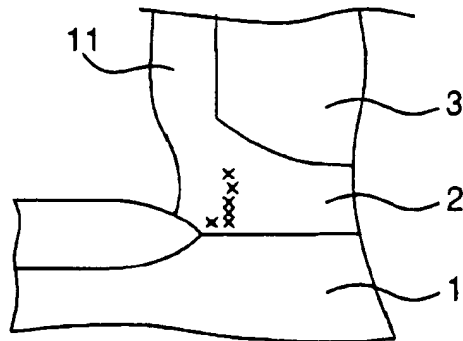


Fig.13 PRIOR ART

